

AURATON Taurus

User manual ver. 20200830

The document presents collected information on safety, assembly and use of AURATON Taurus.

Wired control strip for underfloor heating

AURATON Taurus is an 8-zone, wired strip designed to work with wired temperature thermostats, actuators, a central heating pump, and a heating device.



WARNING!



All connections should be made when power source is disconnected.

AURATON Taurus is designed for mounting on a DIN-rail in the installation cabinets.

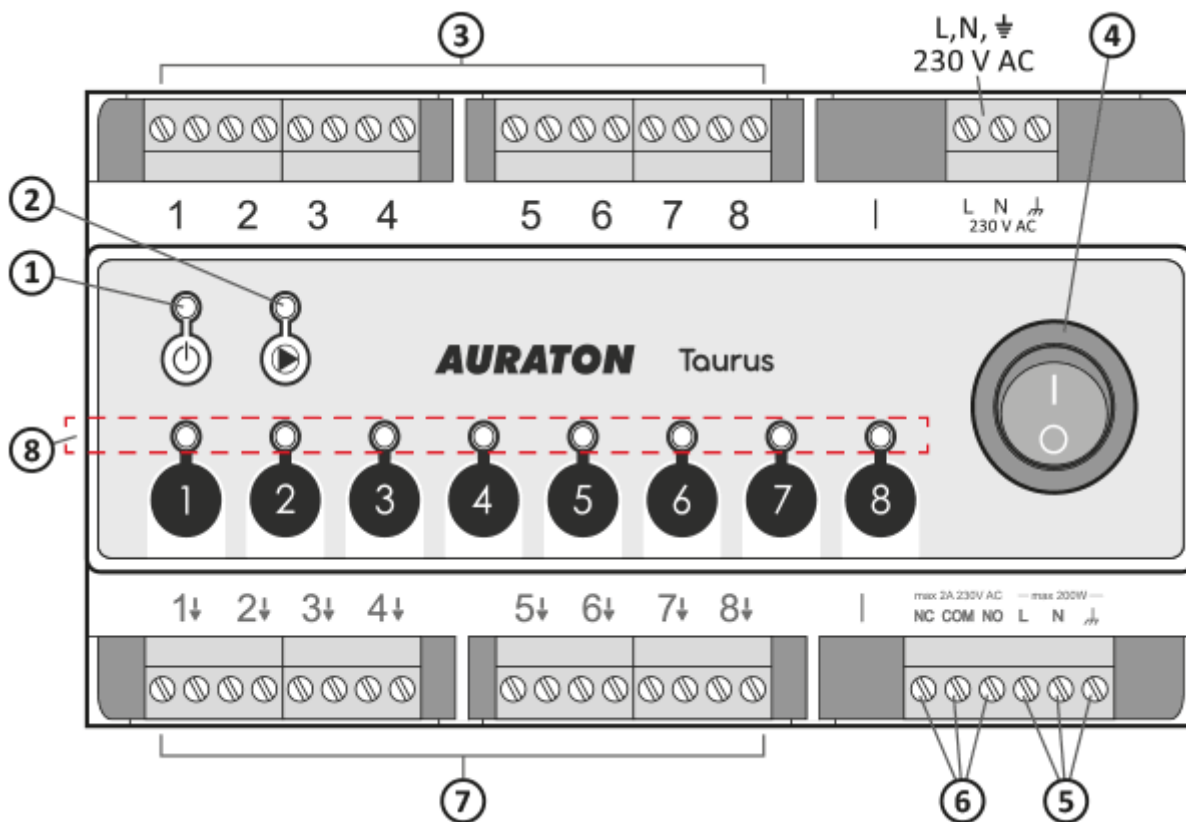
Operation

AURATON Taurus works in the same way as 8 separate heating zone channels and additionally may

perform the following functions:

- Control of a central heating circulation pump,
- Control of a central heating furnace via a transmitter with potential-free contacts.

Description of the device, the push buttons and the indicator lights

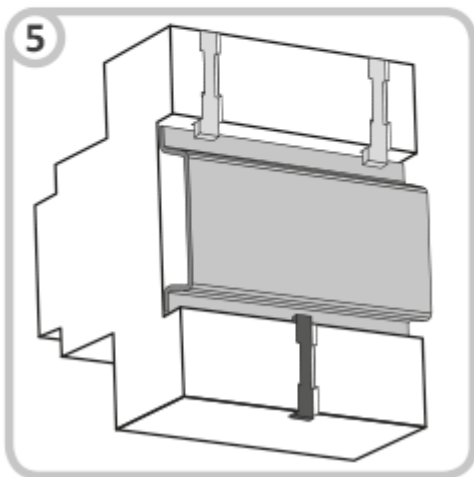
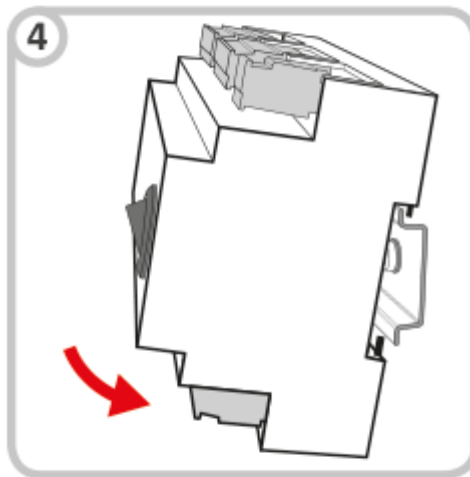
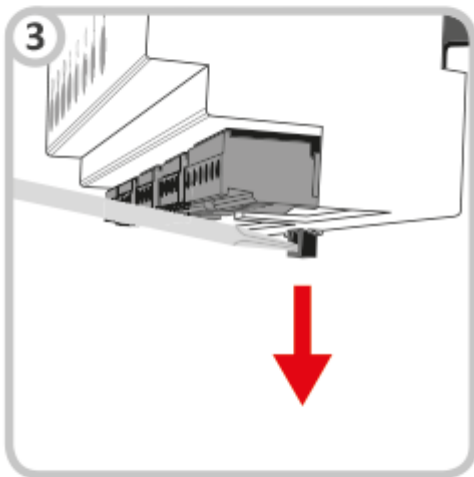
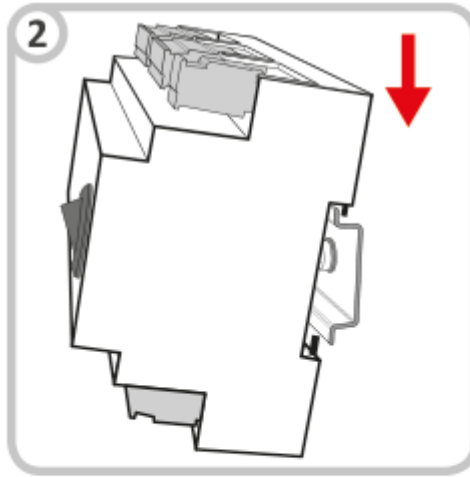
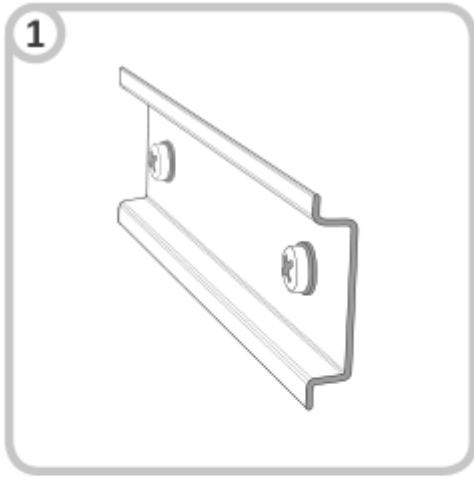


1. A diode indicating the status of the power supply
2. A diode indicating the status of operation of the pump or the central heating furnace
3. Terminals of wired thermostats 1-8

4. Network switch
5. Control of the central heating pump
6. NC, COM, NO, potential-free contacts of the transmitter
7. Terminals of heating zones 1-8 (actuators)
8. Diodes indicating operation of zones 1-8

DIN rail mounting

1. DIN rail.
2. Hook the AURATON Taurus onto the DIN rail with the upper hooks.
3. Pull the lower hook down with a "flat" screwdriver.
4. Put AURATON Taurus in the right place.
5. Release the lower hook.



ATTENTION:

For easy installation, the terminals are equipped with removable clamps. Before cable connections are made, they can be disconnected from AURATON Taurus.

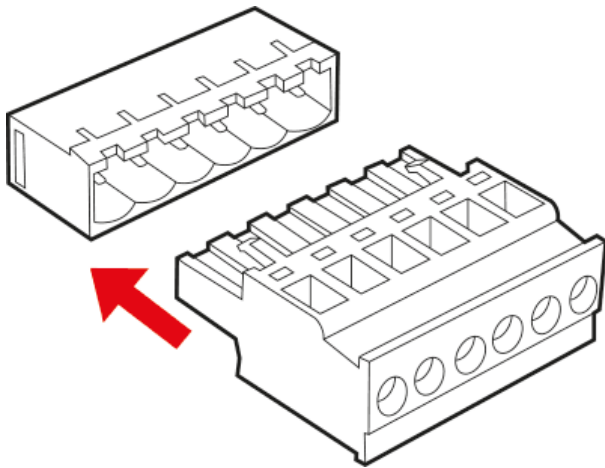


WARNING:



All connections should be made when power source is disconnected.

One wired AURATON thermostat can be connected independently to each zone.



Indication of operation of AURATON Taurus

AURATON Taurus indicates its operating status with LED diodes.

- **A diode indicating the status of the power supply (red):**

The power supply diode is off

AURATON Taurus is off

The power supply diode is on

AURATON Taurus is in normal operation mode

- **Diode indicating the status of operation of the pump and the transmitter (green):**

The diode is off

No control of the central heating pump – the transmitter is off

The diode is on

The central heating pump is on – the transmitter is on

- **Diodes indicating operation of heating zones:**

The diode is off The heating is off

The diode is on The heating is on

Control of the central heating pump and the central heating furnace

The central heating pump and the furnace are turned on when heating is switched on in any of the heating zones – a diode that indicates operation of the central heating pump and the furnace will light up.

The central-heating pump and the furnace are switched off when none of the heating zones is active – the diode indicating operation of the centralheating pump will be turned off.

To improve the operation of the heating system, AURATON Taurus is equipped with a delay system for switching on the central heating pump and the furnace.

Such operation of AURATON Taurus is intended to manage the heating system reasonably and not

to allow excessive load on the central heating pump, which could result in its premature wear.

When heating is turned on, first the actuators are switched on and then, about three minutes later, the central-heating pump and the relay are activated. The pump and relay switch-on delay time is indicated by the turned on LED of a given zone and by the turned off indicator light of the central heating pump. After that time, the pump and the relay are switched on and the indicator light of the central heating pump is switched on permanently.

The central heating pump and the relay are switched off when no heating zone is active.

Connection of the central heating furnace

The central heating furnace must be connected to the COM-NO or COM-NC clamps. This is a standard one-pole bistate transmitter. In most cases, the NC clamp is not used.

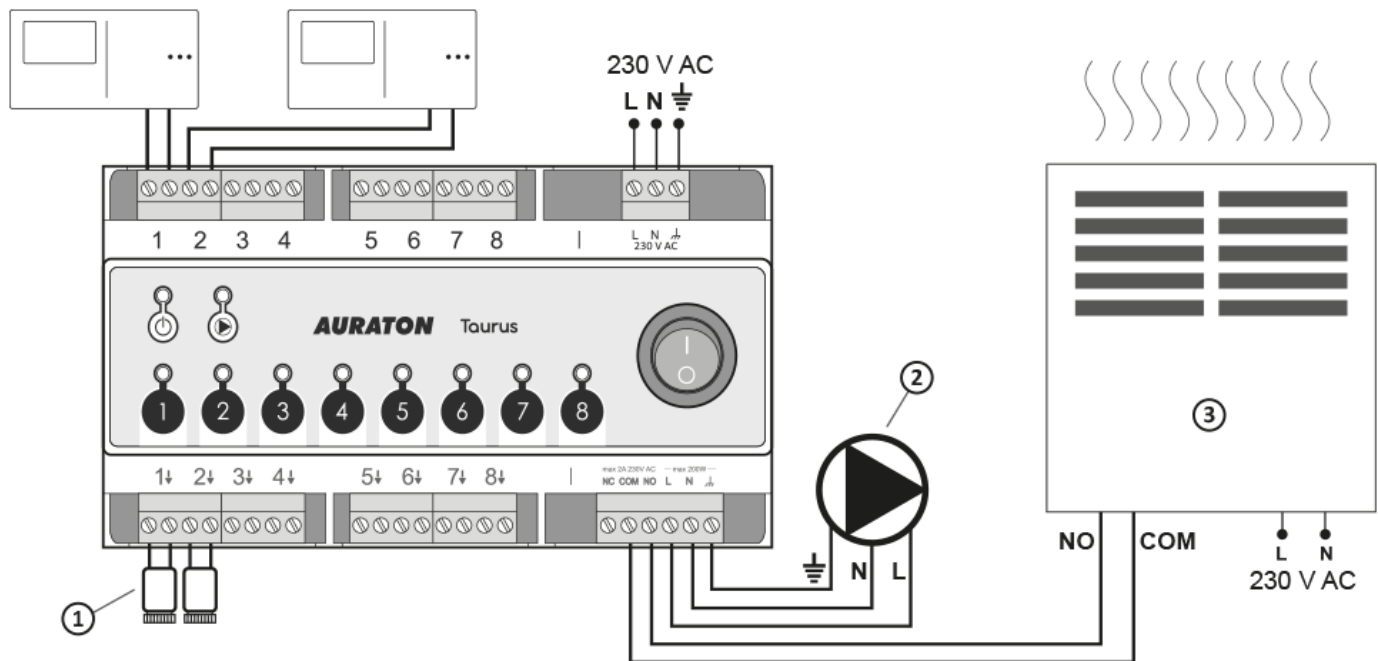


WARNING:



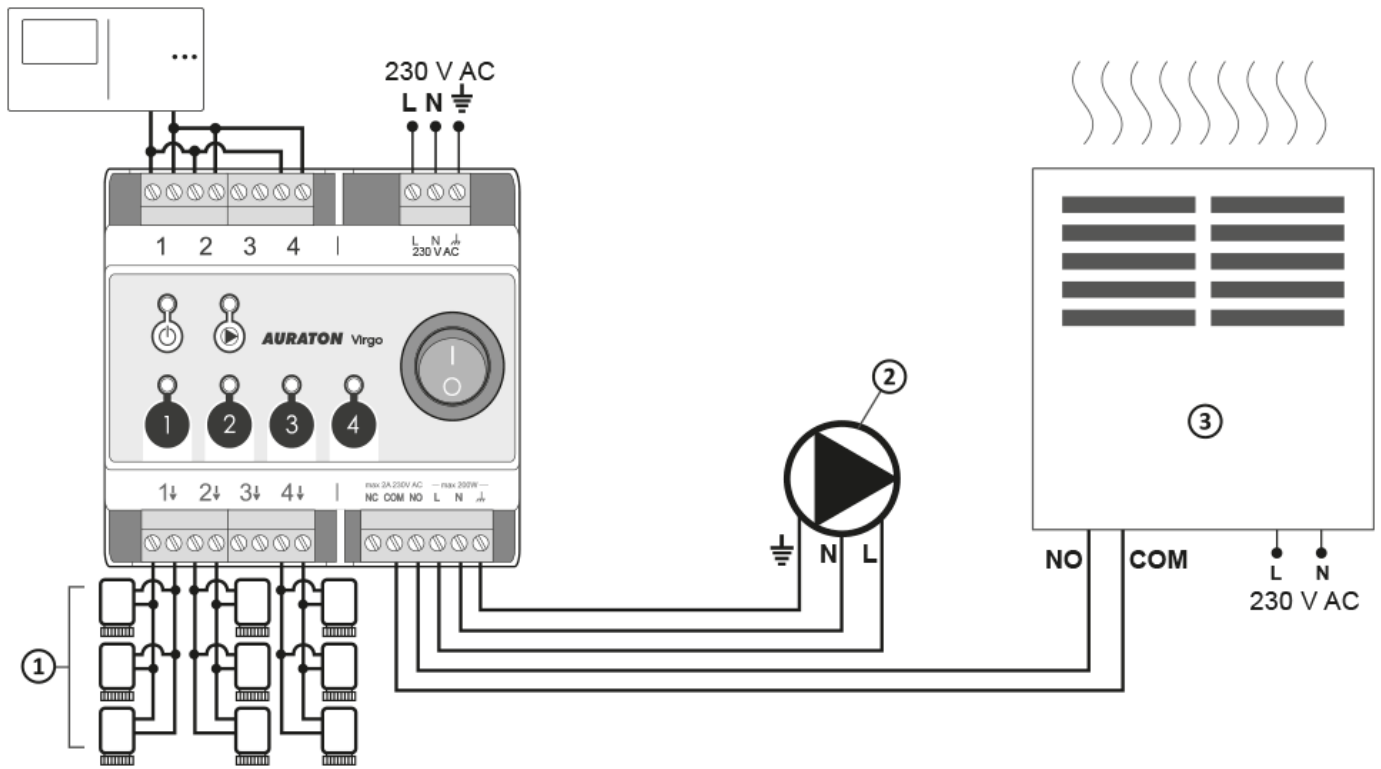
All connections should be made when power source is disconnected.

It is recommended to entrust the installation of AURATON Taurus to professionals.



1. Actuators
2. Central heating pump
3. Heating device e.g. gas boiler

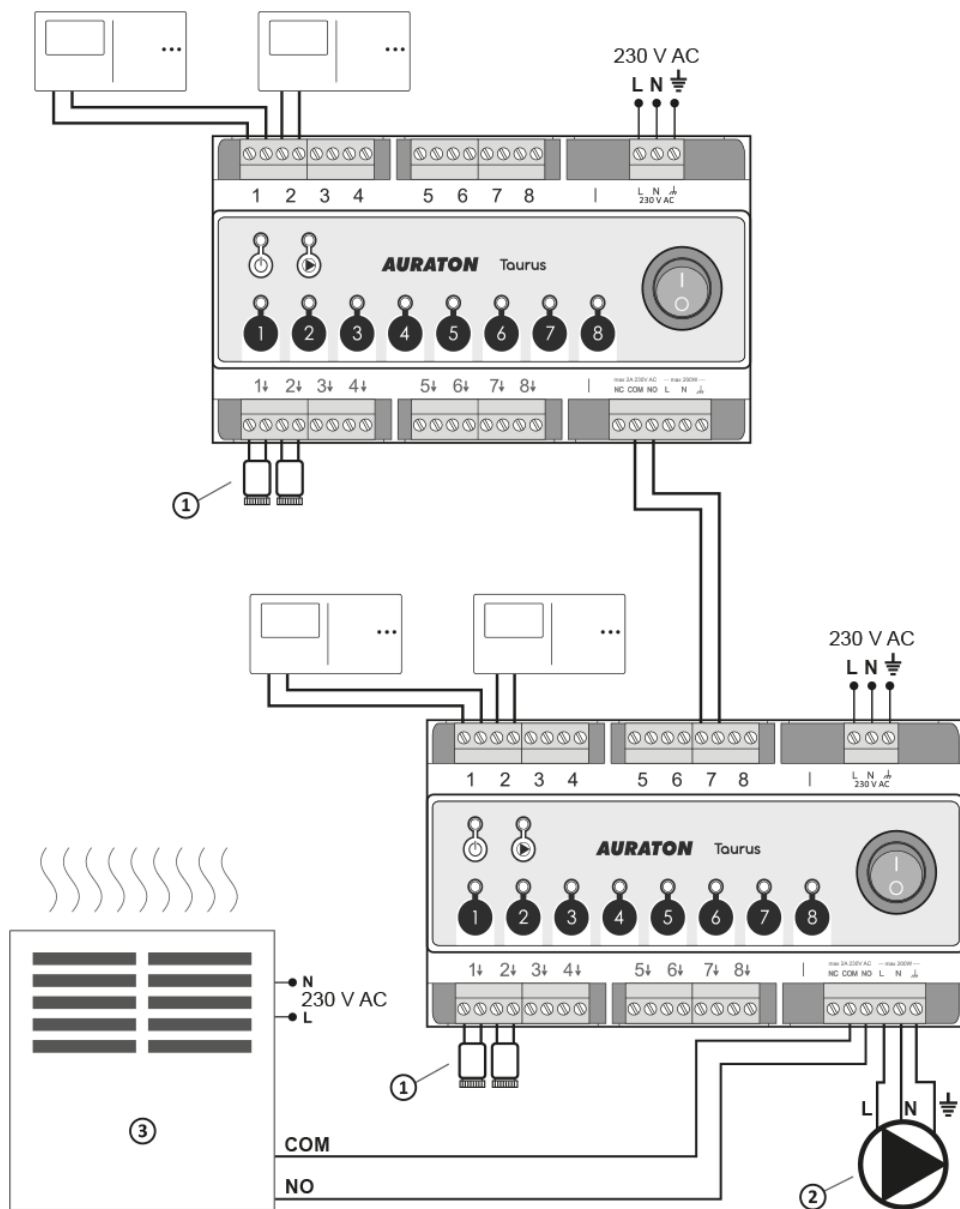
Connecting multiple actuators to one thermostat



1. Actuators (max 3 per 1 line)
2. Central heating pump
3. Heating device e.g. gas boiler

Connecting two AURATON Taurus devices

(common pump and furnace)



1. Actuators
2. Central heating pump
3. Heating device e.g. gas boiler

ATTENTION:
The furnace and pump switch on times add up.

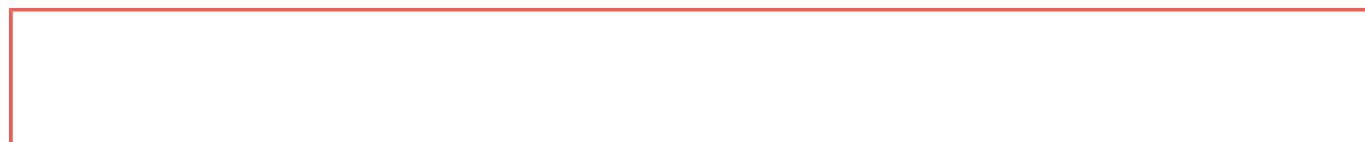
Cleaning and maintenance

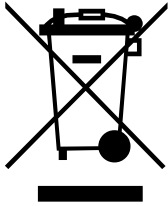
- The outside of the device must be cleaned with a clean dry. Do not use solvents (such as benzene, thinners, or alcohol).
- Do not touch the device with wet hands. This can lead to electric shock or serious damage to the device.
- Do not expose the device to excessive impact of smoke or dust.
- Avoid contact of the device with liquids and moisture.

Technical data

Power supply:	230 V AC, 50 Hz, 1.5 W
Operating temperature range:	0 – 40°C
Signalling the working status:	LEDs
Number of independently controlled heating zones:	8
Relay load capacity:	Max. 250 V AC, max. 2 A (potential-free contacts COM, NO, NC)
Load capacity of control outputs for heads 230 V:	Max. 30 W, up to 3 AURATON actuators per zone
Load capacity of 230 V central heating pump output:	Max. 200 W
Delay in activation of the relay and pump:	Approx. 3 minutes
Security level:	IP20
Suggested mounting location:	DIN-rail in the distribution box
Dimensions [mm]:	158.90 x 90.00 x 58.50

Disposing of the devices





The device is marked with a symbol of a crossed waste bin.
Pursuant to European Directive 2012/19/EU and to the Act on waste electrical and electronic equipment, such mark indicates that the device, at the end of its service life, must not be disposed of together with other household waste.
The user is responsible for delivering the devices to a reception point for used-up electric and electronic equipment.

Contact and address of the manufacturer:

LARS, ul. Świerkowa 14
64-320 Niepruszewo, POLAND
www.auraton.pl

Download

- [User manual](#)
- [Declaration of conformity](#)