



## **AURATON Vela**

User manual ver. 20210930

The document presents collected information on safety, assembly and use of AURATON Vela.

---

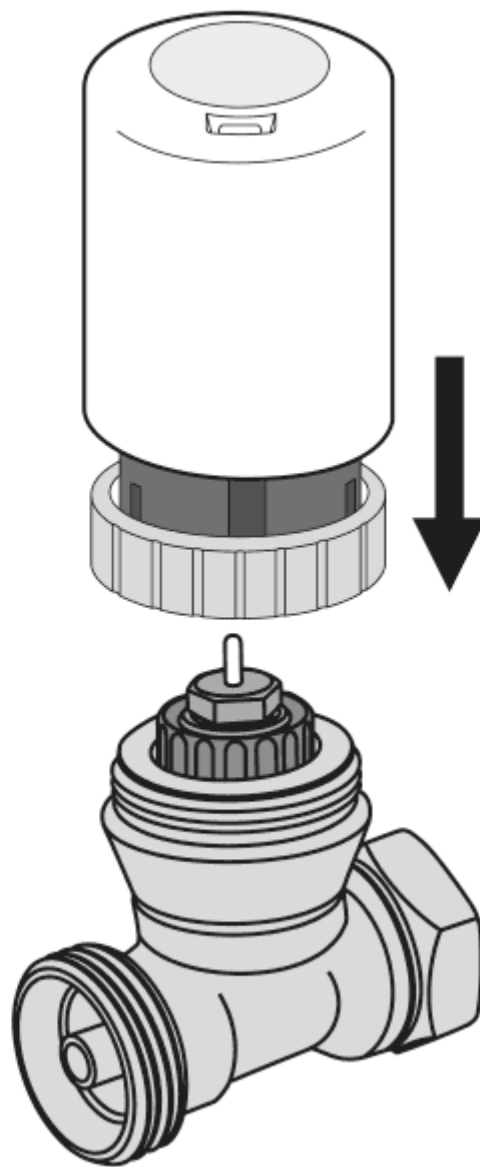
### **Thermoelectric Actuator**

The AURATON Vela thermoelectric actuator is designed to mount on distributors of floor heating and works with AURATON Aries, AURATON Taurus, AURATON Virgo and Multizone Heating Controllers.

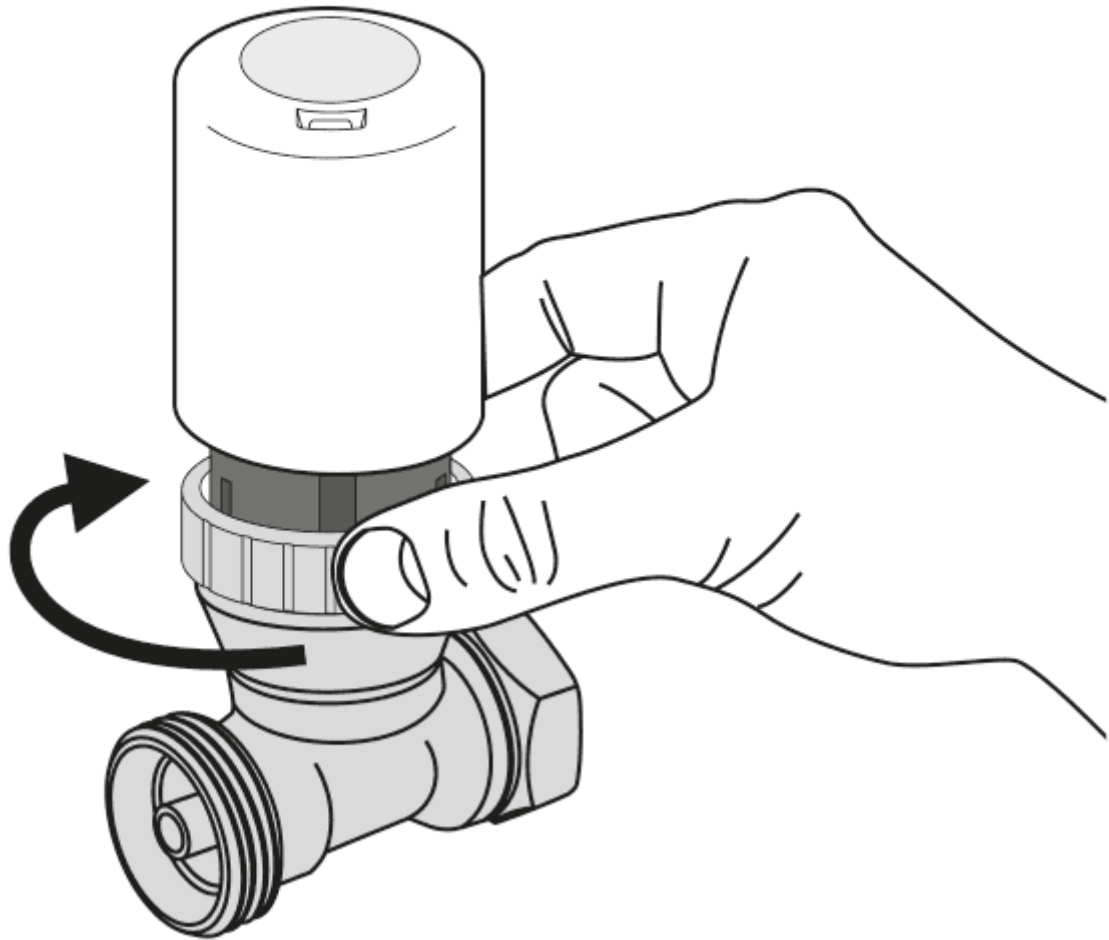
### **Installation of AURATON Vela**

Method of AURATON Vela installation on the floor heating distributors with M30x1.5 mm insert:

1



2



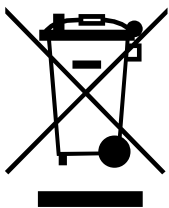
## Cleaning and maintenance

- The outside part the device should be cleaned with a dry cloth. Do not use solvents (such as benzene, thinner or alcohol).
- Do not touch the device when your hands are wet. It may cause electric shock or serious damage to the device.
- Do not expose the device to excessive smoke or dust.
- Keep the device away from liquids or moisture.

## Technical specifications

Power Supply:	230 V AC, 50 Hz, 3,5 W
Working temperature range:	0 - 60°C
Length of power supply wire:	95 cm
Actuator stroke:	3,6 mm
Clamping force:	100 N
Type:	Normally closed
Level of security:	IP40
Suggested mounting position:	Distributor valve
Dimensions [mm]:	70 x 45 x 35

## Disposing of the devices



The devices are marked with the crossed-out wheeled bin. According to European Directive 2012/19/EU and the Waste Electrical and Electronic Equipment Act, this kind of marking indicates that the equipment, after its operational life must not be disposed of together with other waste from households.

**The user shall return it to a collection point for electrical and electronic waste.**

---

**Contact and address of the manufacturer:**

**Lars**

ul. Świerkowa 14  
64-320 Niepruszewo  
Polska  
[www.auraton.pl](http://www.auraton.pl)

---

**Download**

- [User manual](#)
- [Declaration of conformity](#)