

AURATON 8D

A cable controller of 8 heating zones

AURATON 8D is a controller intended for cooperation with heads, a central heating pump, and a heating device.

WARNING!

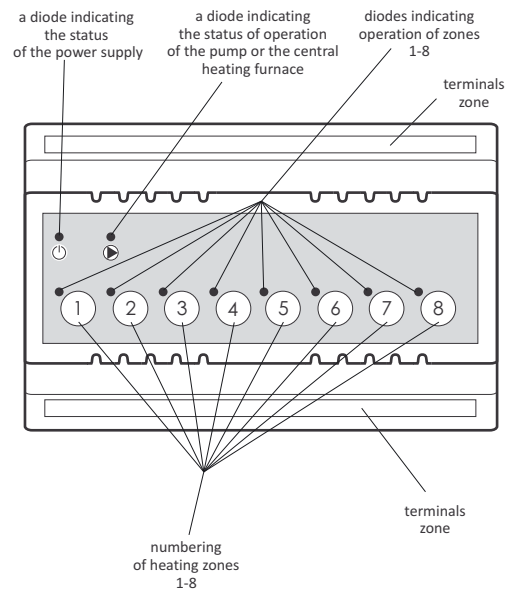
The controller is intended for installation on a DIN rail in a cabinet.

Operation

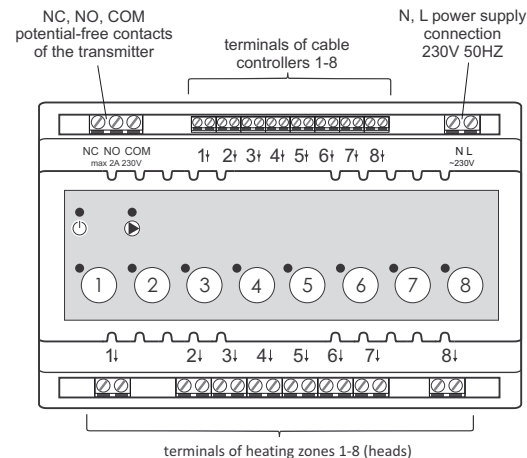
AURATON 8D works in the same way as 8 separate heating zone channels and additionally may perform the following functions:

- control of a central heating circulation pump,
- control of central heating furnace via a transmitter with potential-free contacts.

Description of the device, the push buttons, and the indicator lights



Description of terminal clamps



NOTE: Connections may be made only when the power supply is cut off.

Each zone can be connected independently with one **AURATON** cable controller (e.g. A2025, A2030, A3003, and A3013).

Indication of operation of the controller

The controller indicates its operating status with LED diodes.

• Diode indicating the status of the power supply:

Power supply diode off	the controller is off
Power supply diode on	the controller is in normal operation mode

• Diode indicating the status of operation of the pump and the transmitter:

Power supply diode off	there is no central heating pump - the transmitter is off
Diode on at 10%	the central heating pump is detected but it is switched off - the transmitter is off
Diode is on at 100%	the central heating pump is switched on - the transmitter is switched on

• Diodes indicating operation of heating zones:

Power supply diode is off	the head is not connected to the terminal of the specific number
Diode is on at 10%	the head is connected - heating is switched off
Diode is on at 100%	the head is connected - heating is switched on

Control of the central heating pump or the central heating furnace

The central heating pump or furnace is switched on when heating is switched on in any of the heating zones - a diode that indicates operation of the central heating pump or furnace is then switched on.

The pump or furnace is switched off when no heating zone is active.



NOTE: Connections may be made only when the power supply is cut off.

The controller should be installed by a specialized company.

Cleaning and maintenance

- The outside of the controller must be cleaned with a clean cloth. Do not use solvents (such as benzene, thinners, or alcohol).
- Do not touch the device with wet hands. This can lead to electric shock or serious damage to the device.
- Do not expose the device to excessive impact of smoke or dust.
- Avoid contact of the device with liquids and moisture.

Disposal of the device



The device is marked with a symbol of a crossed waste bin. Pursuant to European Directive 2002/96/EC and to the Act on waste electrical and electronic equipment, such mark indicates that the device, at the end of its service life, must not be disposed off together with other household waste.

The user is required to deliver it to a waste electrical and electronic equipment collection point.

Technical data

Place of installation	Din rail enclosure
Power supply	230V AC 50Hz
Number of independently controlled heating zones	8
Possibility to log in a maximum of	8 thermostats
Load capacity of the 230V head-control outputs	max. 3 AURATON actuators per zone
Load capacity of transmitter	230V AC, 2 A (potential-free contacts COM, NO, NC)
Indication of operation status	optical - diodes